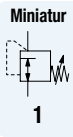
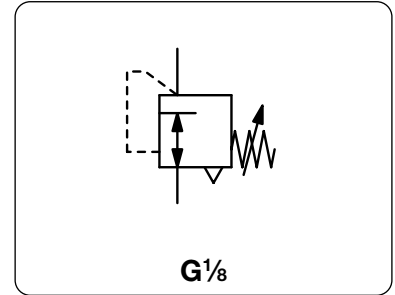


MINIATURE PRECISION PRESSURE REGULATOR \varnothing 30 MM

R307

Description	Precision pressure regulator made of plastic, with diaphragm, with tamper-proof knob and without constant bleed. Excellent for portable systems thanks to small size and light weight of only 70 g. compressed air or non-corrosive gases
Media	
Supply pressure	max. 10 bar
Adjustment	by plastic knob with snap-lock
Relieving function	relieving, optionally non-relieving
Gauge port	G $\frac{1}{8}$ on both sides of the body, one screw plug supplied
Mounting position	any
Temperature range	0 °C to 60 °C / 32 °F to 140 °F
Material	Body: POM Elastomer: NBR/Buna-N Inner valve: brass



Dimensions			Flow rate	Supply pressure	Connection thread	Pressure range	Order number
A	B	C	l/min*1	max. bar	G	bar	

Miniature pressure regulator					supply pressure max. 10 bar, relieving, without constant bleed	R307
30	64	8	360	10	G $\frac{1}{8}$	R307-01B 0.2 ... 2.5 R307-01C 0.2 ... 3.5 R307-01D 0.2 ... 8.0

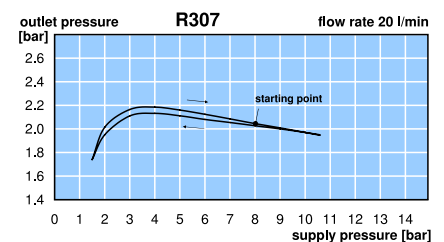
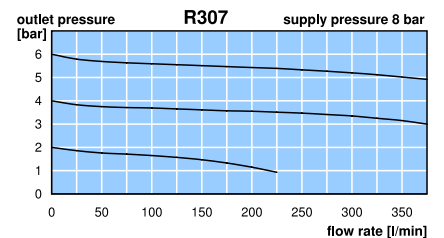
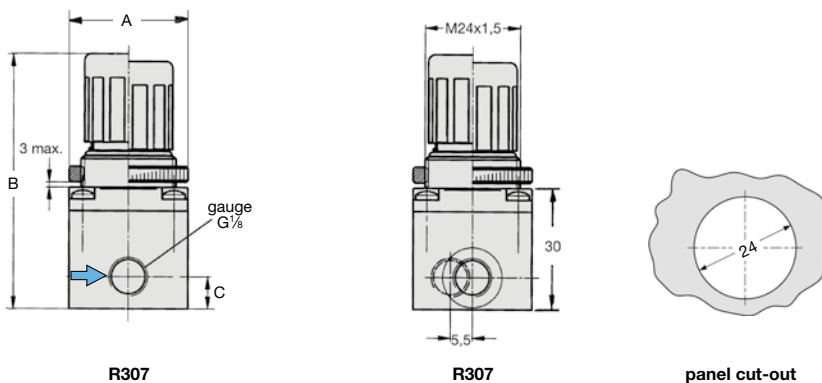
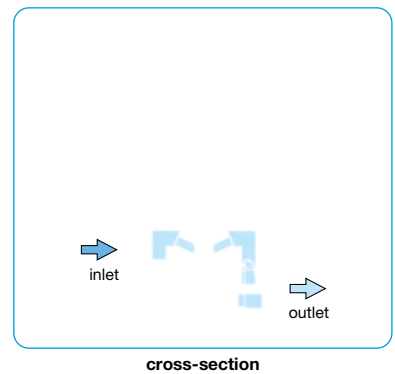


Special options, add the appropriate letter

non-relieving	without relieving function	R307-01 . K
for oxygen	specially cleaned, with oxygen grease	R307-01 . K15

Accessories, enclosed

pressure gauge	\varnothing 23 mm, 0...*2 bar, G $\frac{1}{8}$	MA2301-...*2
mounting nut	made of brass	M24x1,5M



*1 at 8 bar supply pressure, 6 bar outlet pressure and 1 bar pressure drop
*2 04 = 0...4 bar, 10 = 0...10 bar

* Product group

Gauges: see chapter for measuring devices

PDF CAD
www.aircom.net



Order example:
R307-01B